

THIS DRAWING IS UNPUBLISHED.

RELEASED FOR PUBLICATION

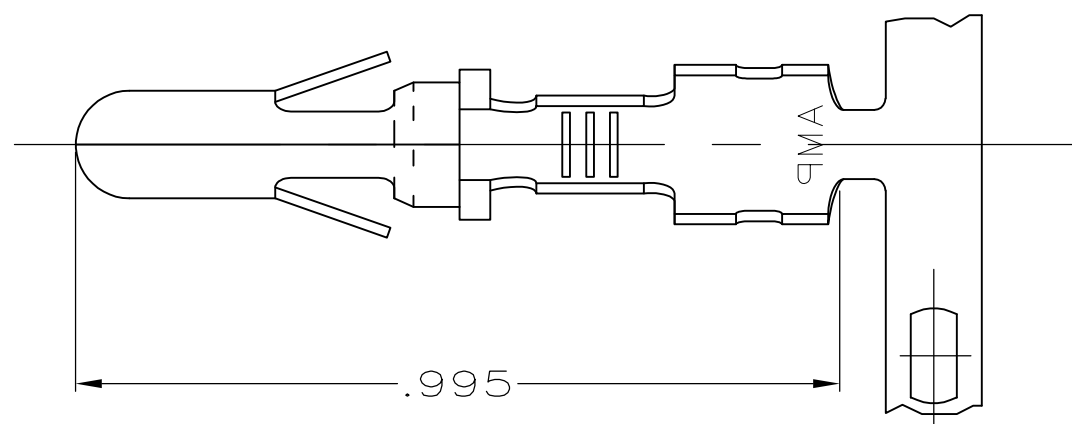
ALL RIGHTS RESERVED.

© COPYRIGHT - By -

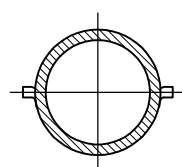
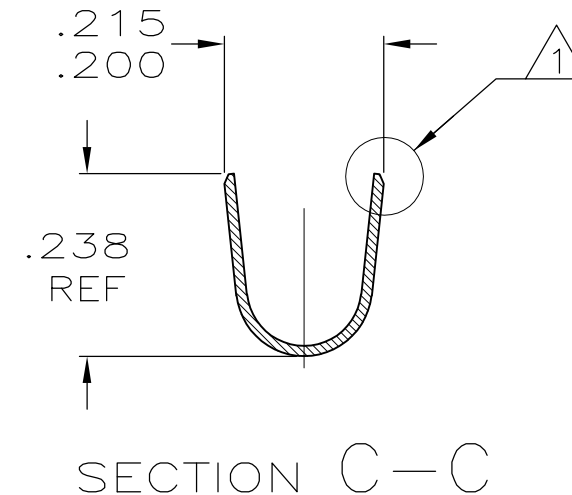
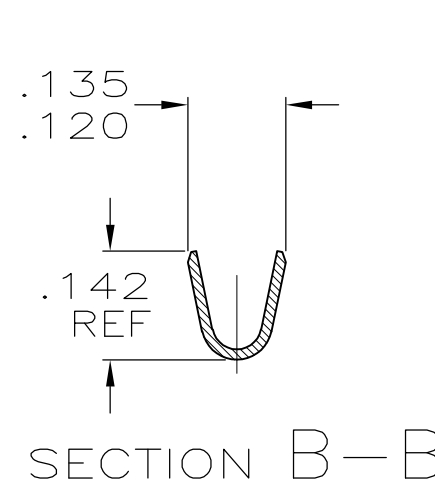
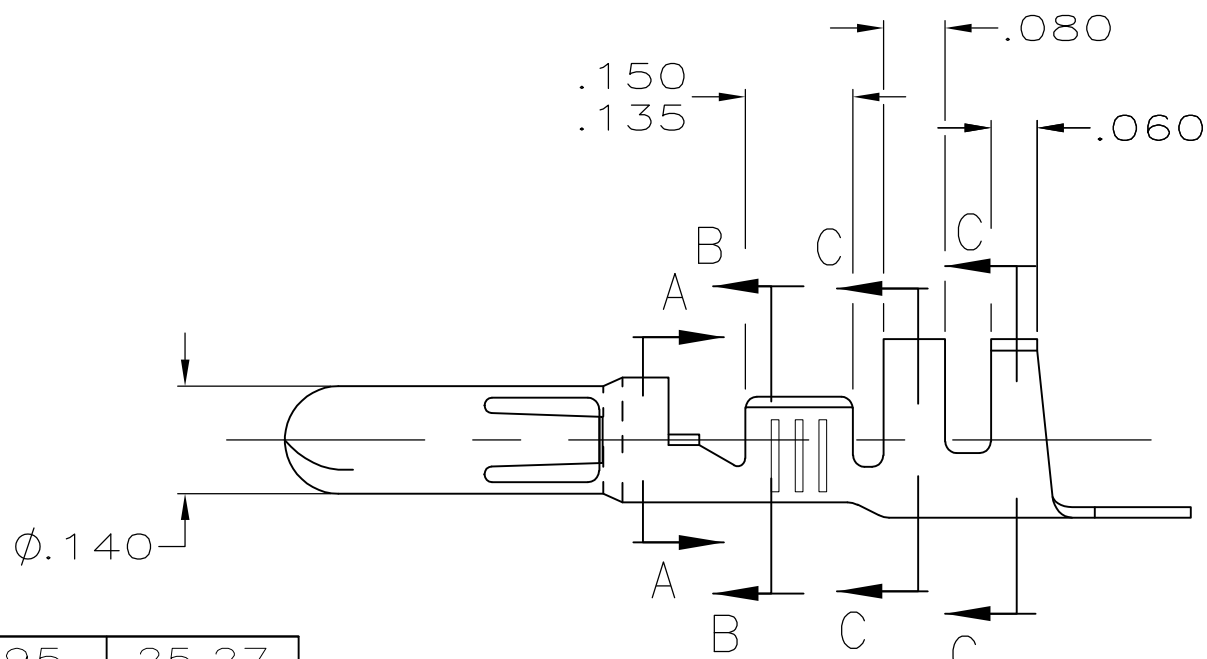
LOC CM DIST 53

REVISIONS

P	LTR	DESCRIPTION	DATE	DWN	APVD
D1		REVISED PER ECO-11-005027	11MAR11	RK	HMR



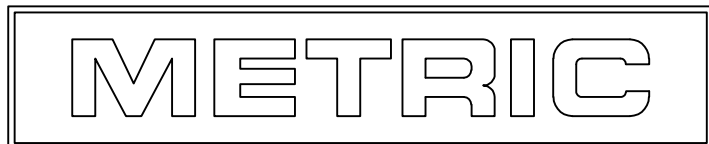
△ SWAGE, INSULATION BARREL ONLY.




SECTION A-A

.995	25.27
.238	6.05
.215	5.46
.200	5.08
.150	3.81
.142	3.61
.140	3.56
.135	3.43
.120	3.05
.080	2.03
.060	1.52
.014	0.36
.005	0.13
IN	MM

CONVERSION TABLE



	TIN	.014 PH. BRZ	61627-2
350389-1	TIN	.014 BRASS	61627-1
LOOSE PIECE (REF)	FINISH	MATERIAL	PART NUMBER

THIS DRAWING IS A CONTROLLED DOCUMENT.		DWN L. SMITH 4-07-94	 TE Connectivity															
DIMENSIONS: INCHES		CHK R. SWING 4-07-94			NAME .140 DIA PIN													
TOLERANCES UNLESS OTHERWISE SPECIFIED:		APVD C. MARTIN 4-11-94																
<table border="1"> <tbody> <tr><td>0 PLC</td><td>± -</td></tr> <tr><td>1 PLC</td><td>± -</td></tr> <tr><td>2 PLC</td><td>± -</td></tr> <tr><td>3 PLC</td><td>± .005</td></tr> <tr><td>4 PLC</td><td>± -</td></tr> <tr><td>ANGLES</td><td>± 1</td></tr> </tbody> </table>		0 PLC	± -	1 PLC	± -	2 PLC	± -	3 PLC	± .005	4 PLC	± -	ANGLES	± 1	PRODUCT SPEC -	SIZE A3	CAGE CODE 00779	DRAWING NO C-61627	RESTRICTED TO -
0 PLC	± -																	
1 PLC	± -																	
2 PLC	± -																	
3 PLC	± .005																	
4 PLC	± -																	
ANGLES	± 1																	
MATERIAL SEE TABLE	FINISH SEE TABLE	APPLICATION SPEC -	WEIGHT -	CUSTOMER DRAWING		SCALE 4:1	SHEET 1 OF 1	REV D1										